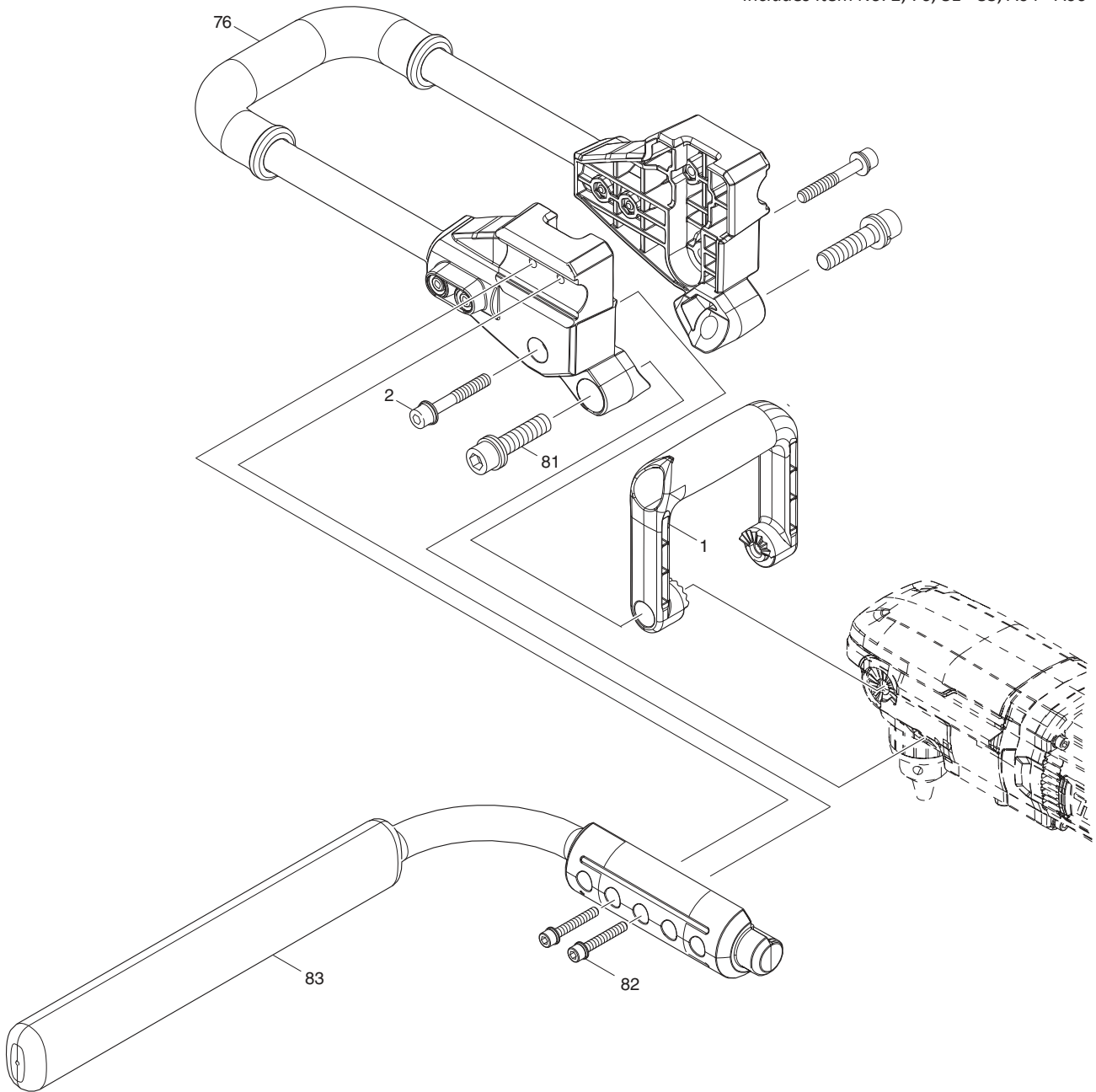


***Item No. A14:** Earth Auger Handle Set
Includes Item No. 2, 76, 81 - 83, A04 - A06



| Item No. | Type | Sub | Part No. | Description | Qty | Unit |
|----------|------|------|----------|---------------------------------|-----|------|
| 001 | | | 458431-1 | FRONT GRIP | 1 | PC. |
| 002 | | | 922478-6 | H.S.H.BOLT M8X55 WITH WR | 2 | PC. |
| 003 | | | 458430-3 | TOP COVER | 1 | PC. |
| 004 | | | 266026-4 | TAPPING SCREW BIND CT 4X12 | 2 | PC. |
| 005 | | | 266086-6 | HEX. SOCKET HEAD BOLT M5X16 | 4 | PC. |
| 006 | | | 140A21-7 | GEAR HOUSING COVER COMPLETE | 1 | PC. |
| | | INC. | | Item No. 7 | | |
| 007 | | | 213709-7 | O RING 63 | 1 | PC. |
| 008 | | | 252267-8 | HEX. NUT M16-22 | 1 | PC. |
| 009 | | | 253771-0 | FLAT WASHER 16 | 1 | PC. |
| 010 | | | 254032-1 | WOODRUFF KEY 5 | 1 | PC. |
| 011 | 2 | | 227920-5 | * SPIRAL BEVEL GEAR 40 | 1 | PC. |
| 012 | | | 213507-9 | O RING 40 | 1 | PC. |
| 013 | | | 257440-5 | SLEEVE 17 | 1 | PC. |
| 014 | | | 211278-2 | BALL BEARING 6203DDW | 1 | PC. |
| 015 | | | 327106-2 | SPINDLE | 1 | PC. |
| 016 | | | 285842-5 | BEARING RETAINER 36-43 | 1 | PC. |
| 017 | | | 763250-5 | 1/2" DRILL CHUCK | 1 | PC. |
| 018 | | | 251463-5 | - FLAT HEAD SCREW M6X22 | 1 | PC. |
| 019 | | | 141D39-9 | GEAR HOUSING COMPLETE | 1 | PC. |
| | | INC. | | Item No. 12,26 | | |
| 020 | | | 265695-8 | H. S. H. BOLT M5X30 WITH WRM | 4 | PC. |
| 024 | | | 216022-2 | STEEL BALL 7.0 | 8 | PC. |
| 026 | | | 213755-0 | O RING 75 | 1 | PC. |
| 027 | | | 253411-0 | FLAT WASHER 6 | 1 | PC. |
| 028 | 2 | | 136563-1 | * SPIRAL BEVEL GEAR 13 COMPLETE | 1 | PC. |
| | | INC. | | * Item No. 29 | | |
| 029 | | | 211206-7 | BALL BEARING 6202LLB | 1 | PC. |
| 030 | | | 962153-2 | RETAINING RING R-35 | 1 | PC. |
| 031 | | | 140A13-6 | CARRIER A COMPLETE | 1 | PC. |
| 032 | | | 226176-7 | SPUR GEAR 13 | 3 | PC. |
| 033 | | | 226177-5 | INTERNAL GEAR 40 | 1 | PC. |
| 034 | | | 223188-1 | CAM | 1 | PC. |
| 035 | | | 347365-2 | WASHER 65 | 1 | PC. |
| 036 | | | 127809-6 | GEAR CASE COMPLETE | 1 | PC. |
| 037 | | | 226175-9 | SPUR GEAR 14 | 1 | PC. |
| 038 | | | 310876-0 | CHANGE RING | 1 | PC. |
| 039 | | | 253215-0 | FLAT WASHER 8 | 1 | PC. |
| 040 | | | 347366-0 | CHANGE GUIDE | 1 | PC. |
| 041 | | | 231657-8 | TORSION SPRING 6 | 1 | PC. |
| 042 | | | 265628-3 | + BINDING HEAD SCREW M5 | 1 | PC. |
| 043 | | | 140A14-4 | CARRIER B COMPLETE | 1 | PC. |
| 044 | | | 226174-1 | INTERNAL GEAR 71 | 1 | PC. |
| 045 | | | 140A12-8 | SPUR GEAR 29 COMPLETE | 3 | PC. |
| 046 | | | 253412-8 | FLAT WASHER 15 | 1 | PC. |
| 047 | | | 213755-0 | O RING 75 | 1 | PC. |
| 048 | | | 140A20-9 | MOTOR BRACKET COMPLETE | 1 | PC. |
| | | INC. | | Item No. 47,49 | | |
| 049 | | | 213406-5 | O RING 30 | 1 | PC. |
| 050 | | | 961058-3 | RETAINING RING (EXT) S-18 | 1 | PC. |
| 051 | | | 213265-7 | O RING 17 | 1 | PC. |
| 052 | | | 458433-7 | CHANGE LEVER | 1 | PC. |
| 053 | | | 233279-0 | COMPRESSION SPRING 4 | 1 | PC. |
| 054 | | | 458434-5 | LOCK BUTTON | 1 | PC. |
| 055 | | | 211087-9 | BALL BEARING 6200DDW | 1 | PC. |
| 056 | | | 519689-8 | ROTOR ASSY | 1 | PC. |
| | | INC. | | Item No. 55,57 | | |

| Item No. | Type | Sub | Part No. | Description | Qty | Unit |
|----------|------|------|----------|------------------------------|-----|------|
| 057 | | | 211022-7 | BALL BEARING 607ZZ | 1 | PC. |
| 058 | | | 266326-2 | TAPPING SCREW 4X18 | 2 | PC. |
| 059 | | | 458427-2 | BAFFLE PLATE | 1 | PC. |
| 060 | 1 | | 629356-8 | * STATOR | 1 | PC. |
| | 2 | | 629B69-3 | * STATOR | 1 | PC. |
| 061 | | | 458426-4 | MOTOR HOUSING | 1 | PC. |
| 062 | | | 265695-8 | H. S. H. BOLT M5X30 WITH WRM | 4 | PC. |
| 063 | | | 140A19-4 | SWITCH CIRCUIT COMPLETE | 1 | PC. |
| | | INC. | 810D46-0 | SWITCH LABEL | 1 | PC. |
| 064 | | | 183S93-7 | HANDLE SET | 1 | SET |
| | | INC. | 263005-3 | RUBBER PIN 6 | 2 | PC. |
| | | INC. | 252126-6 | HEX. LOCK NUT M4-7 | 1 | PC. |
| 065 | | | 620839-1 | LED CIRCUIT | 1 | PC. |
| 066 | | | 266326-2 | TAPPING SCREW 4X18 | 10 | PC. |
| 067 | | | 458432-9 | F/R CHANGE LEVER | 1 | PC. |
| 068 | | | 651443-5 | SWITCH C3JR-4B | 1 | PC. |
| 069 | | | 620E87-2 | CONTROLLER | 1 | PC. |
| 071 | | | 632P65-6 | TERMINAL UNIT | 1 | PC. |
| 072 | | | 811G89-3 | DG001G SERIAL NO. LABEL | 1 | PC. |
| 073 | | | 811G82-7 | DG001G NAME PLATE | 1 | PC. |
| 074 | | | 212193-3 | NEEDLE CAGE 5810 | 3 | PC. |
| 075 | | | 267010-2 | FLAT WASHER 5 | 1 | PC. |
| 076 | | | 127688-2 | PIPE GRIP ASSEMBLY | 1 | PC. |
| 077 | | | 264002-2 | SQUARE NUT M5 | 2 | PC. |
| 080 | | | 8012U4-2 | XGT LOGO LABEL | 1 | PC. |
| 081 | | | 922673-8 | H.S.H.BOLT M12X50 WITH WR | 2 | PC. |
| 082 | | | 922363-3 | H.S.H.BOLT M6X40 WITH WR | 2 | PC. |
| 083 | 2 | | 141N53-5 | PIPE COMPLETE | 1 | PC. |
| 085 | 2 | | 620K74-7 | * CONTROLLER B | 1 | PC. |
| 086 | 2 | | 638A31-1 | * LEAD UNIT | 1 | PC. |
| 087 | 2 | | 652119-7 | * PH SCREW M2X6 | 6 | PC. |

ACCESSORIES

- Visit www.makita.ca for more accessories information -

| | | | | | | |
|-----|------|--|----------|------------------------------------|---|-----|
| A01 | | | 141C01-8 | KEY HOLDER COMPLETE | 1 | PC. |
| A02 | | | 251314-2 | + SCREW M4X12 | 1 | PC. |
| A03 | | | 763251-3 | CHUCK KEY S-13 | 1 | PC. |
| A04 | | | 783204-6 | HEX. WRENCH 6 | 1 | PC. |
| A05 | | | 783207-0 | HEX. WRENCH 10 | 1 | PC. |
| A06 | | | 783232-1 | HEX. WRENCH 5 | 1 | PC. |
| A07 | | | 922453-2 | HEX.SOCKET HEAD BOLT M8X30 | 2 | PC. |
| A08 | | | 327684-2 | ADAPTER A | 1 | PC. |
| A09 | | | 327687-6 | ADAPTER D | 1 | PC. |
| A12 | | | DC40RA | RAPID CHARGER DC40RA | 1 | PC. |
| A13 | | | BL4040 | 40V MAX LI-ION BATTERY BL4040 | 1 | PC. |
| | | | BL4025 | 40V MAX LI-ION BATTERY BL4025 | 1 | PC. |
| A14 | | | 191P11-3 | EARTH AUGER HANDLE SET | 1 | PC. |
| | INC. | | | Item No. 2, 76, 81 - 83, A04 - A06 | | |

SERVICE CHANGES

1. Changes on Spiral bevel gear 40 and Spiral bevel gear 13 complete

(T/I#DB695)

| Item No. | Description | Type 1 | Type 2 |
|----------|---------------------------|----------|----------|
| 011 | SPIRAL BEVEL GEAR 40 | 227416-6 | 227920-5 |
| 028 | SPIRAL BEVEL GEAR 13 COM. | 140A23-3 | 136563-1 |

Above parts are completely interchangeable as a set.

2. Changes on Stator

(T/I#DL006)

| Item No. | Description | Type 1 | Type 2 |
|----------|---------------------|----------|----------|
| 60 | STATOR | 629356-8 | 629B69-3 |
| 85 | CONTROLLER B | ----- | 620K74-7 |
| 86 | LEAD UNIT | ----- | 638A31-1 |
| 87 | PAN HEAD SCREW M2X6 | ----- | 652119-7 |

Above parts are completely interchangeable as a set.

See T/I# DL006 for wiring and repair.